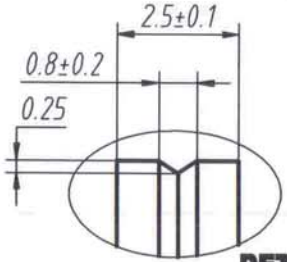
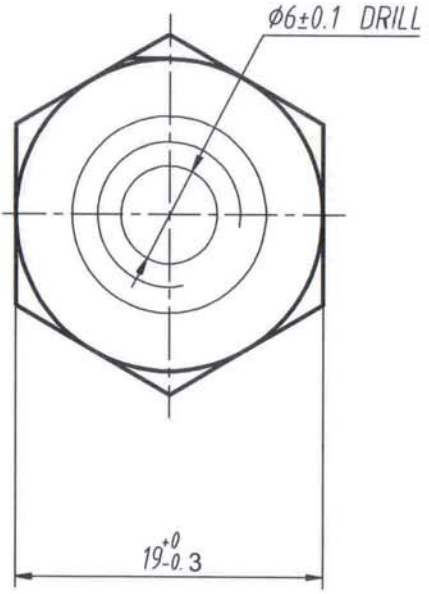
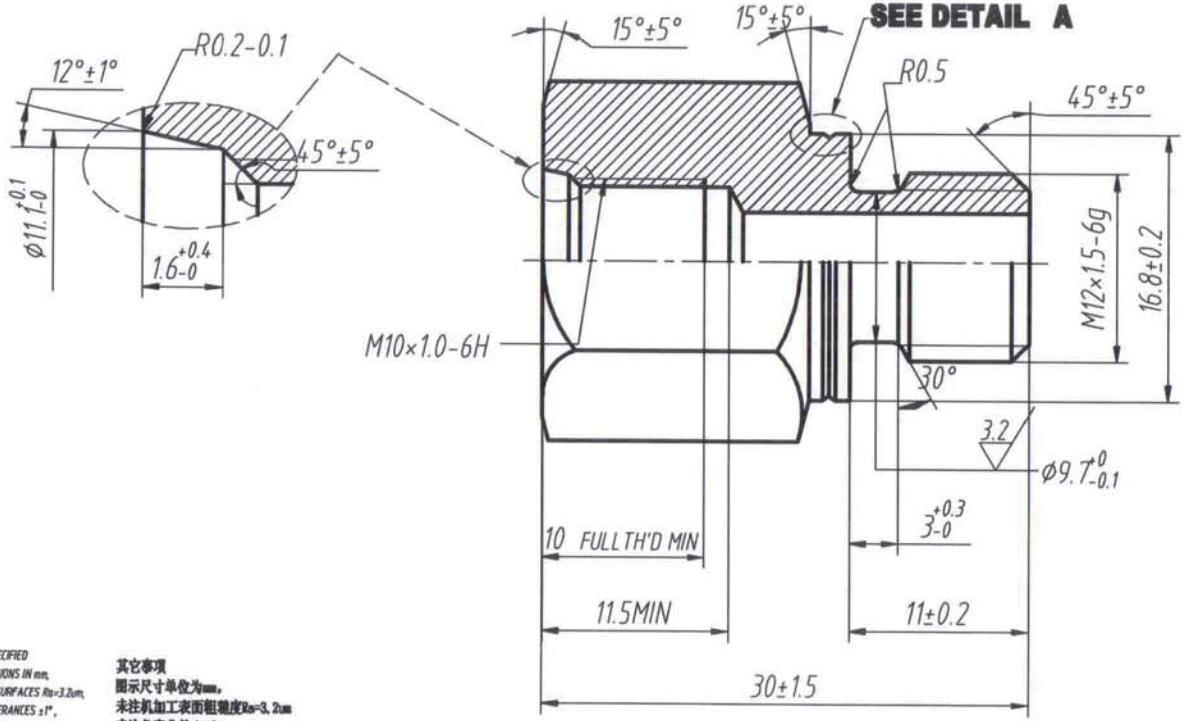


REV 更改号	DATE 日期	REVISION DETAILS 更改内容	APPD 审核并批准



**DETAIL A
(SCALE 3:1)**



UNLESS SPECIFIED
ALL DIMENSIONS IN mm.
MACHINED SURFACES $Ra=3.2\mu m$
ANGLE TOLERANCES $\pm 1^\circ$
Other tolerance except angles,
in accordance with
GB/T1804-2000/ISO2768-M and
GB/T1804-1996/ISO 2768-2-M
The FS seal groove is made as
per SAE HS3, Groove style "B".

其它事项
图示尺寸单位为mm,
未注机加工表面粗糙度 $Ra=3.2\mu m$
未注角度公差 $\pm 1^\circ$
其它未注公差(除角度外)均按:
GB/T1804-2000(ISO2768-1)-m 和
GB/T1184-1996(ISO2768-2)-m



PART NO 零件名	6410-M12-M10	
SCALE NTS	APPD: 批准: Zhangjian	DRN 制图: WAN QIU
	DATE 日期: [Signature]	CHK 审核: YB. ZHAN

MATERIAL	Chinese steel 45	材质: 45#
FINISH	Remove all sharp edges, burrs, Slivers and swarf, break all edges 0.127-0.254mm. Zinc Plated With Trivalent Chromate Passivation And No Red Corrosion In 96 Hours Salt Spray Test.	去除所有毛刺, 铁销等残留物, 锐边倒钝0.127-0.254MM 镀锌, 三价铬钝化, 银白色, 96小时盐雾试验无红斑。